

# SPECIFICATION SHEET

**PRODUCT NAME:** international multi-configuration sockets



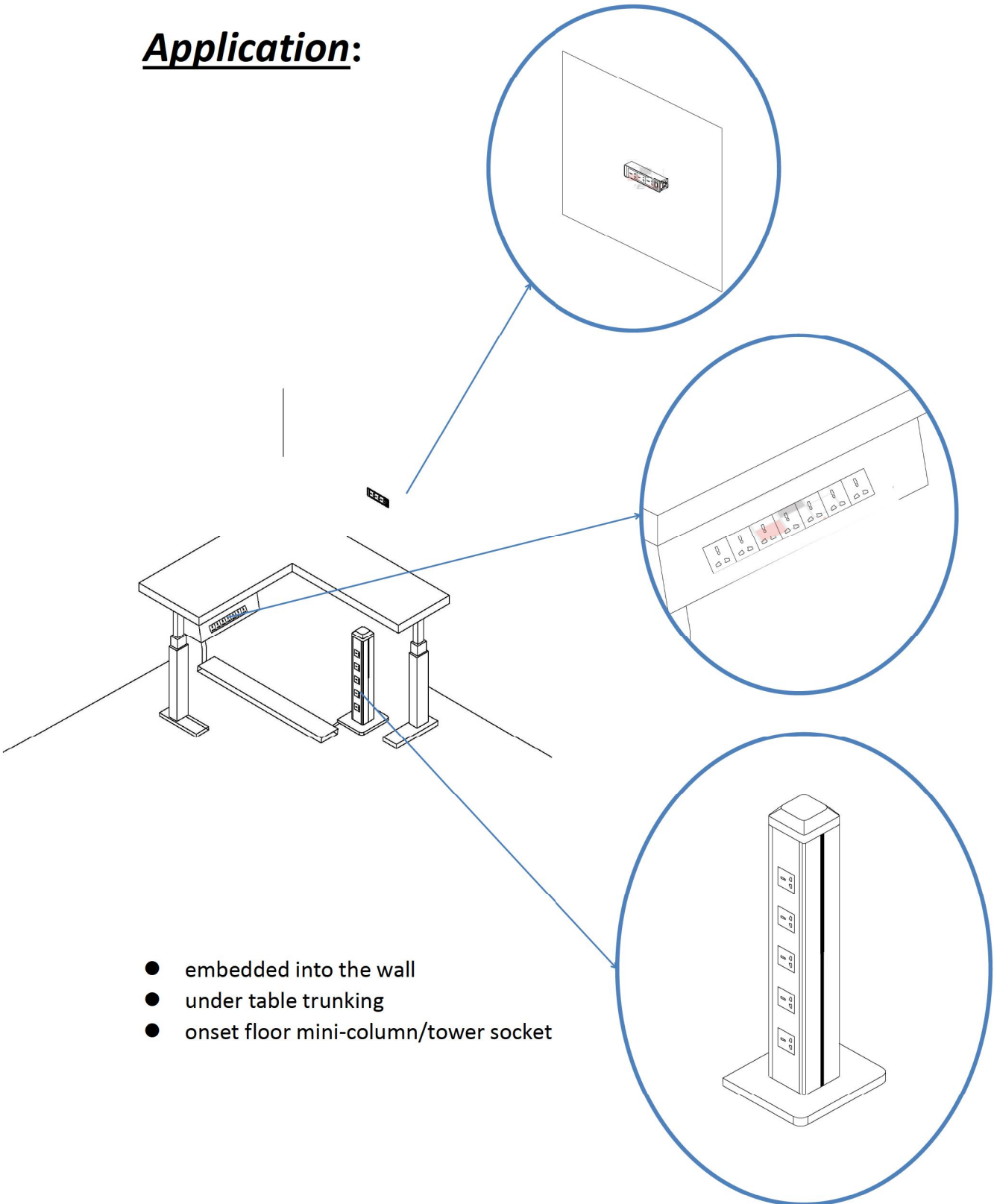
## **Characteristic:**

Serial No.	Parameter	Description
1	Panel Material	PC 94-V0
2	Inside material	Tin phosphorous bronze
3	Surface finish	Glossy
4	Input voltage	250v/AC 50~60Hz
5	Rated current	10A
6	3 pin Withdrawal force	54N
7	2 pin Withdrawal force	2N-18N
8	Durability	≥5000
9	Color	customization
10	Number of terminals	2 screw terminals
11	Outlet	international multi- configuration sockets
12	IK degree of protection	IK04
13	IP degree of protection	IP21
14	Dimension of product	45*45mm

## **Environmental requirements**

Serial No.	Parameter	Description
1	Operating temperature	-10℃~+40℃;Operating
2	humidity	20%~90% RH
3	Storage temperature	-20℃~+85℃;storage
4	humidity	10%~95% RH
5	Resistance to pressure	≥3Kv/AC 1min
6	Isolation resistance	500v DC/100MΩ

## **Application:**



- embedded into the wall
- under table trunking
- onset floor mini-column/tower socket

## Feature :



1.5...2.5mm<sup>2</sup> for stranded cable (s)

1.5...2.5mm<sup>2</sup> for flexible cable (s)

1.5...2.5mm<sup>2</sup> for rigid cable (s)



**insulation resistance tester**



**dielectric strength tester**



**Current tester**

**Package:**10 Pcs connector in poly bag separately with inner box. 10pcs inner boxes in one carton box.

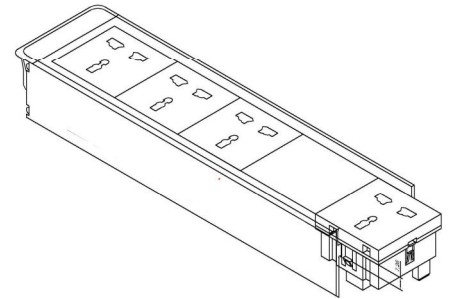
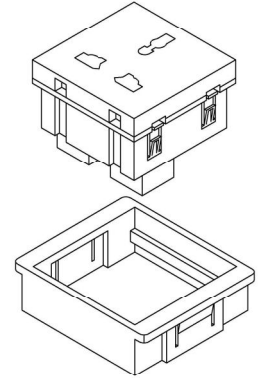
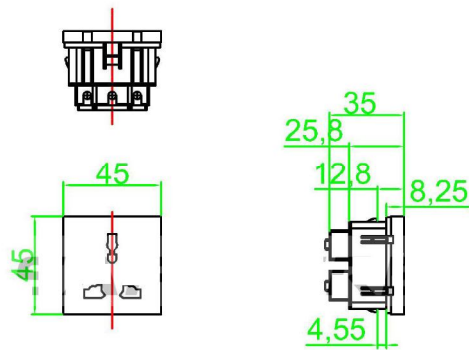


**F4 Outline drawing:**

## SAFEWIRE

**F4 Outline**

**Units: mm**



### Installation Process

1. Insert the connection block in the contacts of the socket
2. Easy to install: Pre-assembled system product need only a screwdriver to have their cables connected and to fit them on the boxes-just a few seconds work for an incredible long-last installation.



#### **4.Safety Warning:**

1. For indoor use only.
- 2.This product must be installed/wired by a qualified electrician.

#### **5.Attentions:**

- 1.Protect children from touch skirt of socket.
- 2.Ensure current and voltage as rating current/voltage .Do not overload
3. Prevent from corrosive liquid, gas (strong acid, strong alkali, paint)and humidity.