

SPECIFICATION SHEET

PRODUCT NAME: 2 pin socket



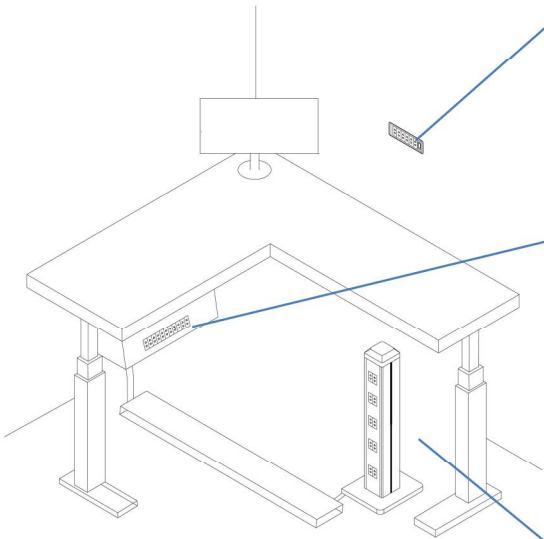
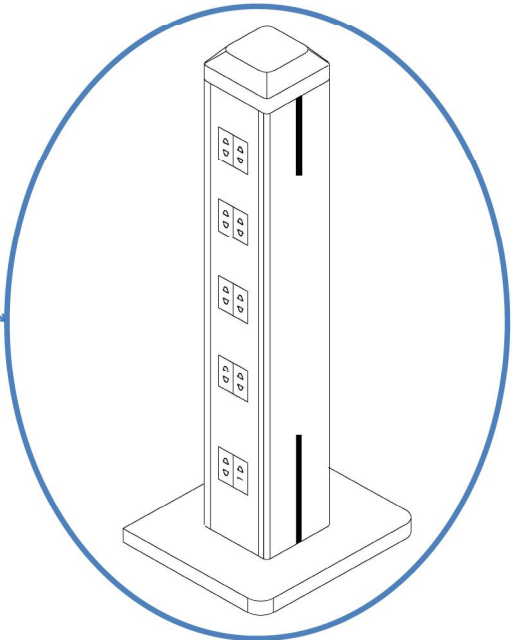
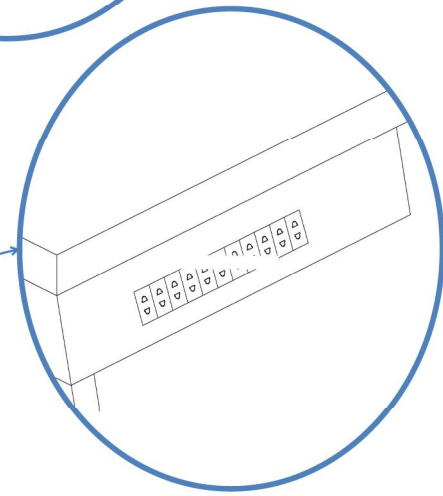
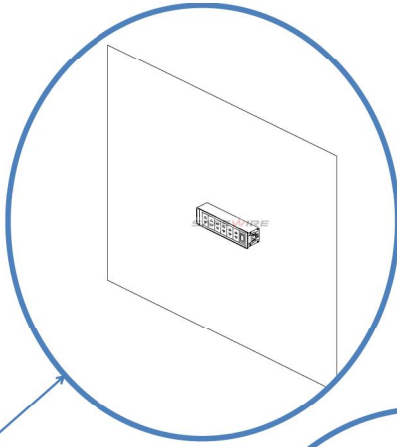
Characteristic:

Serial No.	Parameter	Description
1	Panel Material	PC 94-V0
2	Inside material	Tin phosphorous bronze
3	Surface finish	Glossy
4	Input voltage	250v/AC 50~60Hz
5	Rated current	10A
7	2 pin Withdrawal force	2N-18N
8	Durability	≥5000
9	Color	customization
10	Number of terminals	2 screw terminals
11	Outlet	Brazil NBR sockets
12	IK degree of protection	IK04
13	IP degree of protection	IP21
14	Dimension of product	22.5*45mm

Environmental requirements

Serial No.	Parameter	Description
1	Operating temperature	-10°C~+40°C;Operating
2	humidity	20%~90% RH
3	Storage temperature	-20°C~+85°C;storage
4	humidity	10%~95% RH
5	Resistance to pressure	≥3Kv/AC 1min
6	Isolation resistance	500v DC/100MΩ

Application:



- embedded into the wall
- under table trunking
- onset floor mini-column/tower socket

Feature :

1.5...2.5mm² for stranded cable (s)

1.5...2.5mm² for flexible cable (s)

1.5...2.5mm² for rigid cable (s)



insulation resistance tester

dielectric strength tester

Current tester

1. toolless installation
2. Single , double , triple , multi-socket using the connection block
3. With optional safety key
4. With red ,green ,white finish for UPS ,health sector or specific power supply.

Safety Warning:

1. For indoor use only.
- 2.This product must be installed/wired by a qualified electrician.

.Attentions:

- 1.Protect children from touch skirt of socket.
- 2.Ensure current and voltage as rating current/voltage .Do not overload
3. Prevent from corrosive liquid, gas (strong acid, strong alkali, paint)and humidity.

Outline drawing:

outline

Units:mm

