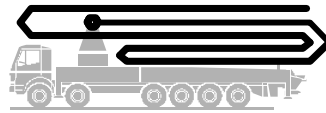


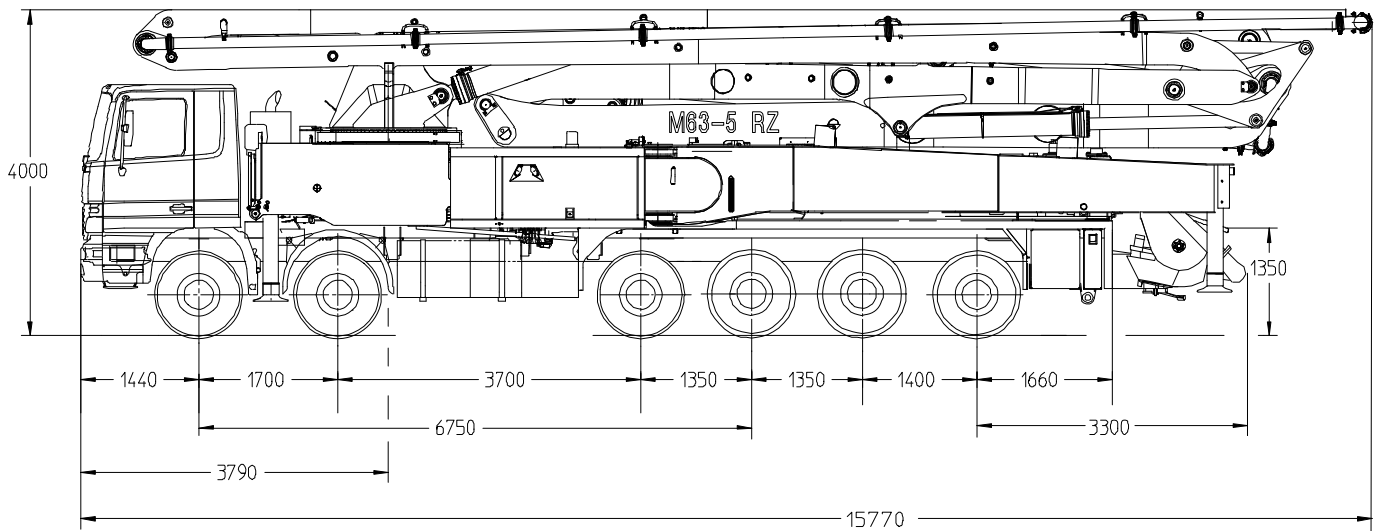
Truck-mounted concrete pump

BSF 63-5.16 H

Output up to 200 m³/h
 Delivery pressure up to 130 bar*



.16 H LS
.20 H



Note: Serial version. Dimensions and weights depend on truck, pump model and equipment.
 Dimensions in mm, MB-Actros 6560 as example
 For illustration only.

Technical data

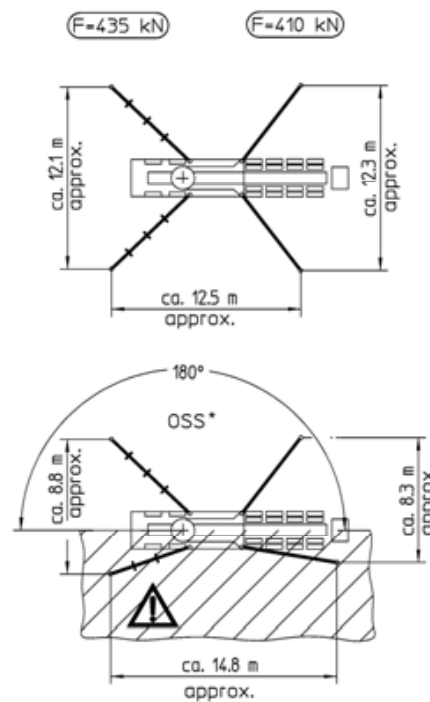
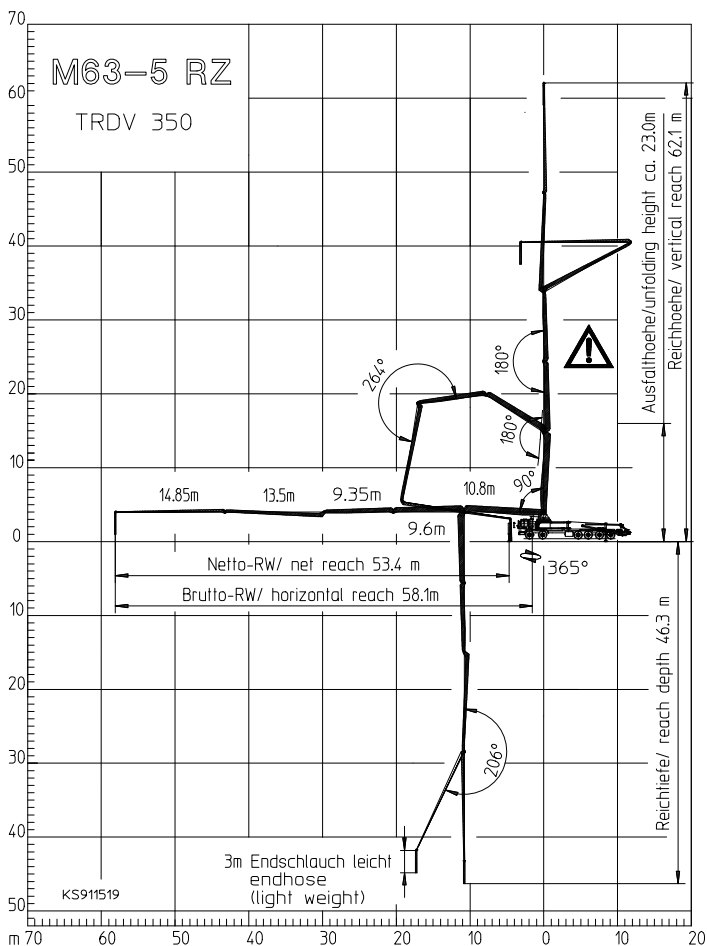
Boom M 63-5		
Sections		5
Reach height	m	62.1
Horizontal reach	gross	m 58.1
	net	m 53.4
Reach depth max.	m	46.3
Unfolding height	m	23.0
End hose length	m	3
Folding system		RZ
Delivery line		DN 125/117 ¹⁾

Pump		BSF	.16 H	.16 H LS	.20 H
Rod side	Output	m ³ /h	160	-	-
	Delivery pressure	bar	85	-	-
	Strokes	1/min.	31	-	-
Piston side	Output	m ³ /h	108	160	200
	Delivery pressure	bar	130	85	85
	Strokes	1/min.	21	26	26
	Delivery cylinder	Ø mm	230	250	280
	Stroke	mm	2100	2100	2100

*) Delivery line boom max. 85 bar.
 All data maximum theoretical.

¹⁾ Section 1+2 DN 125, 3 to 5 DN117

Reach information diagram, Support



Dimensions can differ depending on configuration.



Range in which you must not work with the end hose.

Serial delivery scope

Agitator and water pump radio remote/on site controlled
Cardan shaft maintenance free
Central lubrication boom, electrically
Central lubrication hopper, electrically
Chassis horn via remote control on hopper
Concrete hopper RS 907 with agitator
Connection Diesel tanks (only MB/MAN chassis)
Connections for hydraulic emergency supply
C-pipe connection for filling water tank
Delivery cylinder chrome-plated
Delivery line (2-layer) PM2020/2015 Proline, arm assembly
Delivery piston 'compact' (16 H), 'single' (16 H LS, 20 H)
Diagnose interface
Diesel tank in supp. leg rear right side
EBC (Ergonic Boom Control) 5 arms
End hose 3,0 m DN 125 5,5"
Ergonic Graphic Display (EGD) with machine fault management

Ergonic Pump System (EPS) incl. Ergonic Output Control (EOC)
Ergonic TeleService (ETS), without SIM card
Flashlights for 4 support legs front and rear
Flushing water pump 160 l/min 25 bar
Hard metal wear parts kit
High pressure water pump 100 bar with dry-run protection
Hinged elbow with cleaning port
Horn at the second last arm and chassis, button (yellow) at hopper
Hydraulic hose for replacement in hose pack
Inner stowage on platform
Lighting modul control box
Operating manuals 2 x (1 x paper, 1 x CD-ROM) spare part list
OSS one side support (assistance device) not EEA countries
Pipe magazine on swing leg
Platform non-skid
Pump on/off dependent on speed
Radio remote control proportional with display
Remote control without display with 40 m cable

Rubber collar on concrete hopper
Spectacle wear plate DURO 22
Splash guard foldable
Spotlights 4 x for illumination support area
Spray hose 10 m incl. bracket
Spray tank with air-pressure connection
S-transfer tube switchover fast/slow
Support plates (4 x) in magazine (2 x) open
Support plates 4 x + timber wood 8 x 1 000 in magazine added
Swivel support plates
Tool box
Tool set incl. standard equipment
Towing eye
Traffic permission pack (depends on mounting)
Vibrator radio remote/on site controlled
Wash-out port lid with slide pin
Water tank 880 l
Working light for illumination of hopper, detachable
Working search light for hopper illumination (mounted on arm assembly)

See quotation for exact serial delivery scope. Comprehensive range of options available on request.

Putzmeister Concrete Pumps GmbH | P.O. Box 2152 | 72629 Aichtal | Tel. +49 7127 599-0 | Fax +49 7127 599-520 | pmw@pmw.de
Right to make amendments reserved | © by Putzmeister | All rights reserved | Printed in Germany | 1707