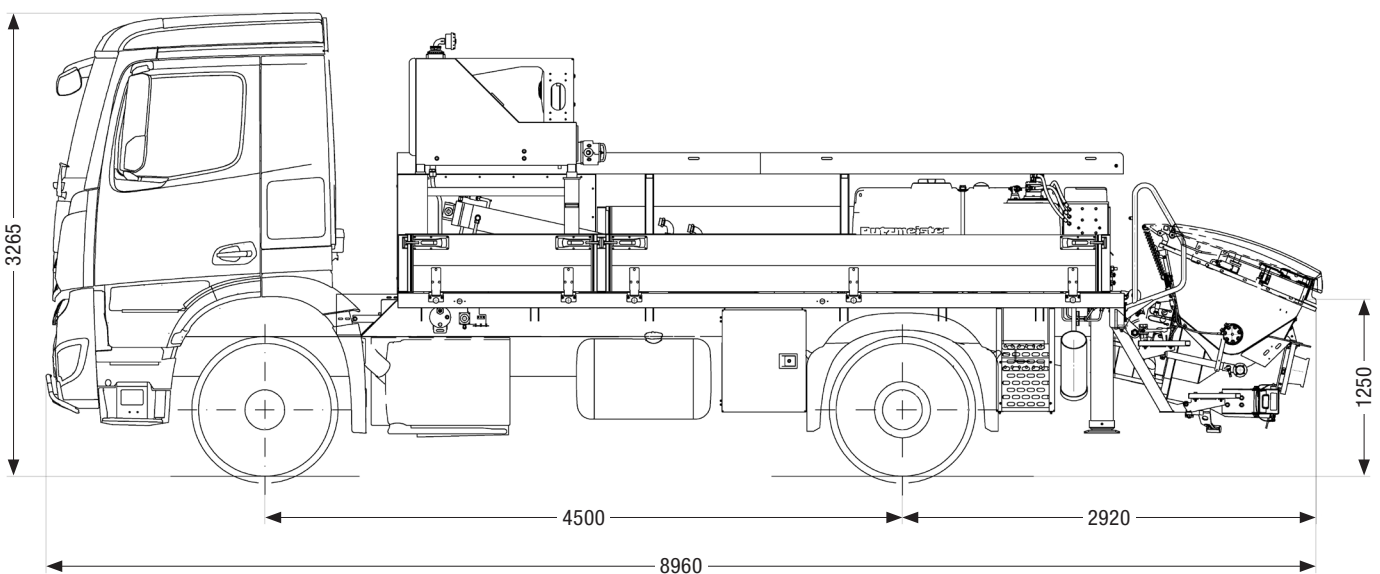


MOLI **BSF 2116 H**

Output up to 160 m³/h
 Delivery pressure up to 130 bar



Note: Standard version. Dimensions and weights depend on truck, pump model and equipment.
 Dimensions in mm. For illustration only.

Technical data

Pump		BSF .16 H	
	Delivery Cylinder	Ø mm	230
	Stroke	mm	2100
Rod side	Output	m ³ /h	160
	Delivery pressure	bar	85
	Strokes	1/min.	31
Piston side	Output	m ³ /h	108
	Delivery pressure	bar	130
	Strokes	1/min.	21

All data maximum theoretical.

Serial delivery scope

Agitator and water pump radio remote / on site controlled	Ergonic Pump System (EPS) incl.	Side panel left foldable
Box for sponge balls	Ergonic Output Control (EOC)	Side panel right foldable
Cardan shaft maintenance free	Flushing water pump 160 l/min 25 bar	Spectacle wear plate DURO 22
Central lubrication hopper, electrically	Hand working search light lighting hopper LED	Splash guard fixed
Chassis horn via remote control on hopper	Lattice box rear side	Spray hose 10 m incl. bracket
Concrete hopper RS 909 with agitator	Operating manuals 2x (1x paper, 1x CD-ROM), spare part list	S-transfer tube switchover fast/slow
Connections for hydraulic emergency supply	Painting	Support plates (2x) in magazine open
C-pipe connection for filling water tank	Platform non-skid	Tool box dep. on mounting, mounted separately
Delivery cylinder chrome-plated	Pump on/off dependent on speed	Tool set incl. standard equipment
Delivery piston "compact"	Radio remote control proportional with display	Towing eye
Diagnose interface	Remote control with 25 m cable, without display	Water supply at hopper (1/2')
Engine speed remote adjustment	Rubber collar on concrete hopper	Water tank 800 l
Ergonic Graphic Display (EGD) with machine fault management	SBU manuell	

See quotation for exact serial delivery scope.
Comprehensive range of options available on request.

Putzmeister Concrete Pumps GmbH | P.O. Box 2152 | 72629 Aichtal | Tel. +98 224 286 75-8 | Fax +98 224 228 78 | +98 0912 8 584 584 kormit.abedi@yahoo.com Right to make amendments reserved | © by Putzmeister | All rights reserved | Printed in Germany | 1707
www.saghargostar-co.ir

Putzmeister Concrete Pumps GmbH | P.O. Box 2152 | 72629 Aichtal | Tel. +49 7127 599-0 | Fax +49 7127 599-520 | pmw@pmw.de
Right to make amendments reserved | © by Putzmeister | All rights reserved | Printed in Germany | 1707